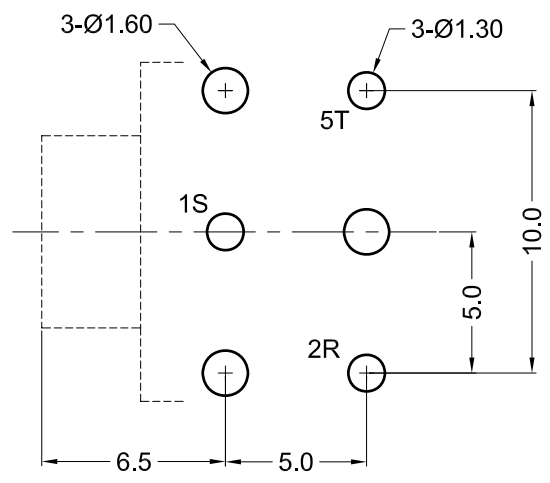
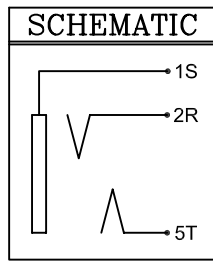


Color: Light Blue (Pantone 284C)



Recommended PCB Layout (Bottom View)

Materials and Finish

Housing: PBT Thermoplastic
15% Glass Filled, Black Color,
UL 94V-0 Rated

Barrel: PA Thermoplastic, UL94V-0 rated,
Pantone 284C (Light Blue) color
(see PC99 spec. for details)

Terminals:

Pin # 2R, 5T: Phosphor Bronze,
Tin Plated

Pin # 1S: Brass, Tin Plated

Electrical Characteristics

Contact Resistance:
Before Test: 50 milliohms Max.
After Durability Test:
100 milliohms Max.

Insulation Resistance:
More than 100 Megohms
at 500V DC

Dielectric Withstanding Voltage:
500V AC RMS for 1 minute

Operating Temp:
-25°C to +100°C

Mechanical Characteristics

Insertion Force:
0.4kg - 3.0kg

Extraction Force:
0.3kg - 3.0kg

Durability: 5000 mating cycles



Tolerances
X.X ± 0.3
X.XX ± 0.15
Unless Stated Otherwise

REV.	DATE	DESCRIPTION	REV. BY	CHK. BY	DRAWN BY	DATE
A0	9/28/05	New Drawing	R. Aguirre	H. MA	R. Aguirre	07/14/05
A1	6/7/06	Release Drawing	H. MA	N/A		
B1	11/10/10	ECO #10-068	P. DalCanto	H. MA		

STX-3200-3NB-284C

High Profile Stereo Jack, RoHS Compliant

Blue(color) Plastic Bushing, Backplate, 3 pos.

